

3. HALL MINIMUM REQUIREMENTS & SET-UP EHF EUROPEAN LEAGUE MEN & WOMEN



EHF European League – as of Group Phase



GROUP PHASE

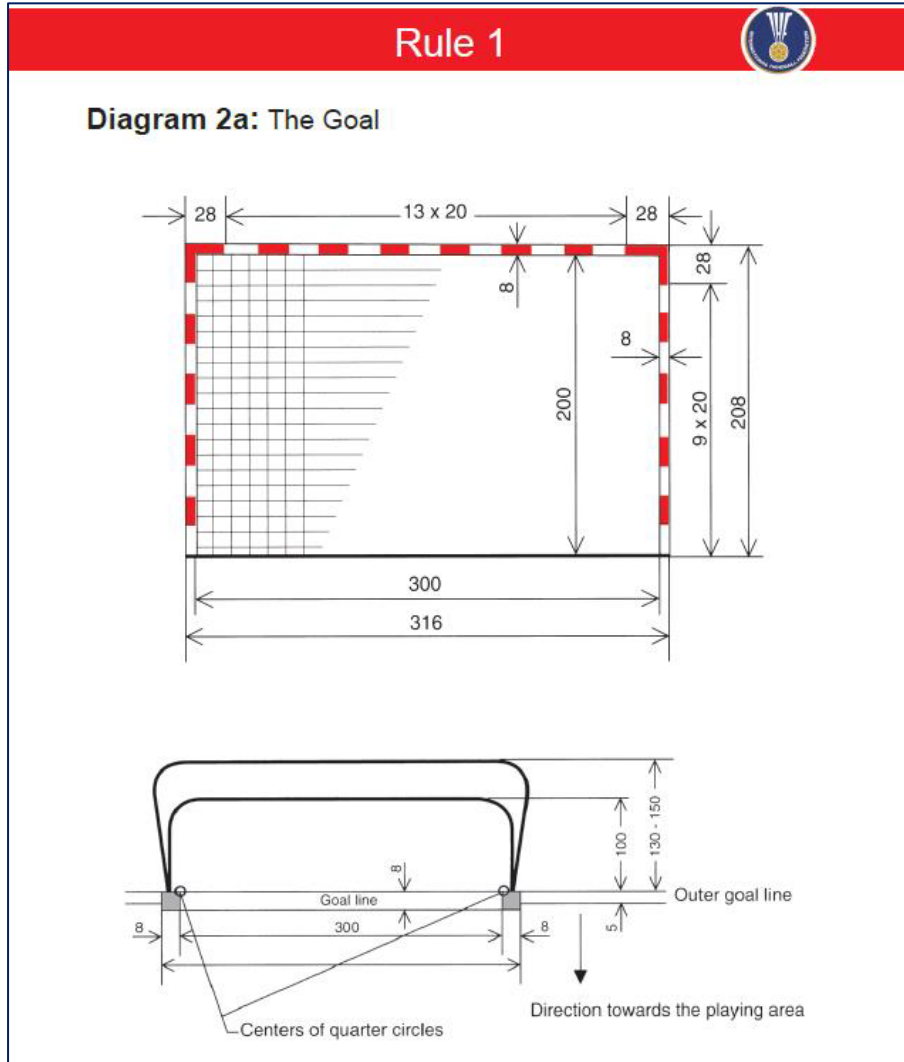
Playing Court	40m x 20m
Base Area	44m x 24m
Min. Hall Capacity	2.000 /1.000*
Stands	Both long sides
Scoreboards	Two or Cube
Judges' Table	3m x 0,7m
Chairs Judges' Table	Four
Chairs Sub. Area	16
Catch net	Black; 20m x 7
Min. Lighting	1000 LUX



Floor thoroughly cleaned
Handball lines only – Group phase / EHF EL flooring
Hall free of other sports equipment
Main camera behind judges' table
Heating / Central air conditioning
Support table (optional) – 4.5m x 1m
Timekeeper's equipment
Mixed zone / Flash zone
Catch net fixed on ad boards
Anti-Doping Room

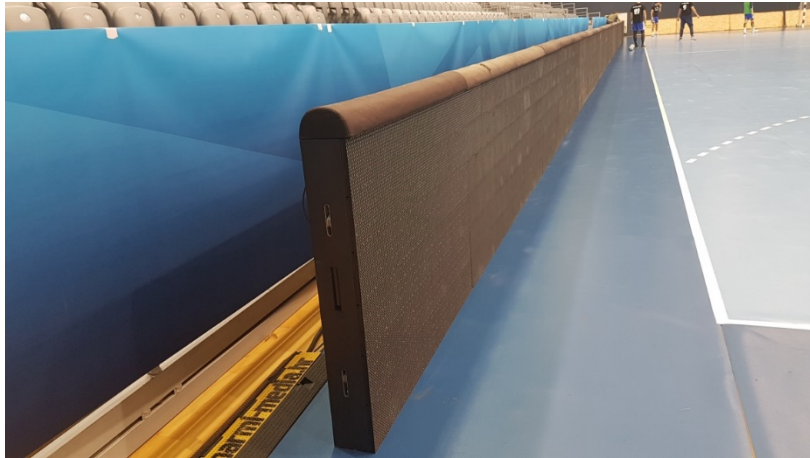
*Men 2.000 – Women 1.000

THE GOAL: CORRECT SET-UP



AD BOARDS: SAFETY DISTANCE

CORRECT DISTANCE



INCORRECT DISTANCE



SUBSTITUTION AREA



- ✓ One row
- ✓ Sixteen chairs
- ✓ Taped together

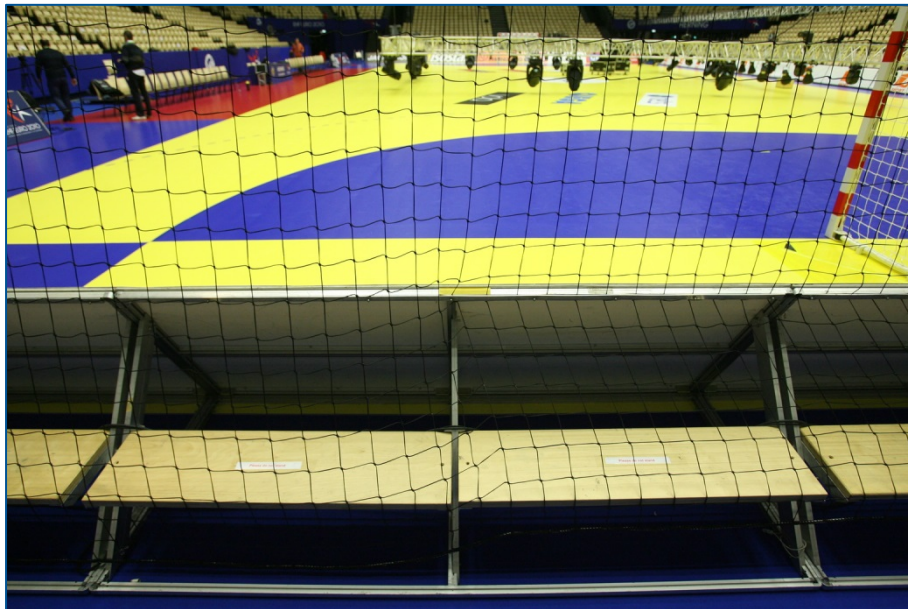
- × Double row
- × More than sixteen seats
- × Benches



CATCH NETS

- ✓ Black (not visible on camera)
- ✓ Fixed on ad-boards

- × Any other colour (visible on camera)
- × Not fixed on ad boards, in front of advertising boards



Electronic Advertising Board System

All participating clubs must provide an Electronic Advertising Board System according to the EABS Manual (see point 1) for all EHF European League matches. The EABS (LCD or LED) must have minimum 80 m in total – minimum 40 m and maximum 42 m on the long side (opposite the main TV camera) and 20 m on each short side (behind the goal) of the playing court. The total height must be minimum 0,8 m and maximum 1,1m. Only EHF/M approved EABS can be used for EHF European matches.

